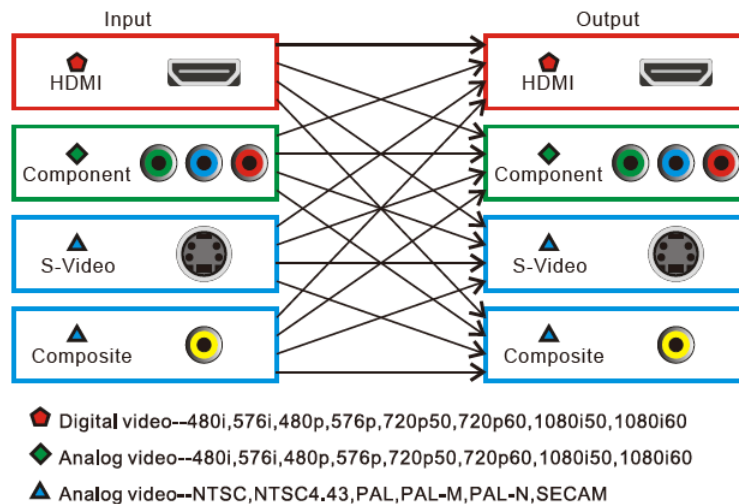




This high definition HD/SD digital AV Mixer. Each input BUS supports 6 inputs (2 x HDMI, 2 x Component, 2 x S-Video and Composite video) and also Background Color for special efficiency. The output supports 1 x HDMI, 2 x Component, 2 x S-Video and Composite video, it also supports position adjustment and recording.

The output supports HD/SD resolution for example, NTSC, NTSC-4.43, PAL, PAL-M, PAN-N, SECAM, 480p, 576p, 720p 50/60, 1080i 50/60. The output resolution can auto adjust to consistency resolution; please refer to the diagram below.



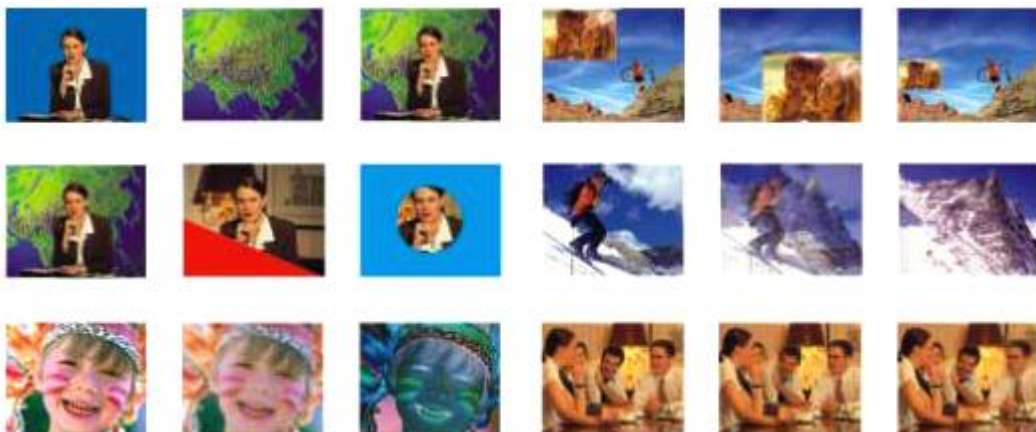
Features:

- | | |
|---|--|
| ✓ Selective size and position for digital effects area and PIP. | ✓ 1 HDMI recording outputs. |
| ✓ Automatic fade and wipe with speed preset control. | ✓ 2 Component recording outputs. ◦ |
| ✓ Digital effects- Still, Mosaic, Paint, Negative. | ✓ 1 Composite Video / S-Video recording output. |
| ✓ 96 wipe patterns. | ✓ 1 Composite Video / S-Video monitoring output (OSD). |
| ✓ Chroma key & Luminance key. | ✓ Auxiliary audio input. |
| ✓ High Picture Quality. | ✓ Microphone input / headphone output |
| ✓ 3x8 back color. (3 frames , 8 colors) ◦ | ✓ Picture in Picture control. (3 window sizes) |
| ✓ Joystick control for digital effect position. | ✓ Each A/B BUS can adjust independently. |
| ✓ Fade control for Video and Audio | ✓ Supports Lip-Sync delay up to 170ms. |
| ✓ Video and Audio mixing. | ✓ Motion and Edge Adaptive De-interlacing. |
| ✓ 2 HDMI / Component / Composite Video/S-Video inputs. | ✓ Composite supports 3D comb filter and YC separation. |

Specifications:

Source Input	<ul style="list-style-type: none">✓ HDMI Input: x2 Digital Video YUV (480i/p ,576i/p , 720p50/60 , 1080i50/60)✓ Component Input: x2 Analog Video YUV (480i/p , 576i/p , 720p50/60 , 1080i50/60).✓ Y/C input: x2 Y signal: 1.0 Vp-p 75Ω , Mini Din 4-pin connector C signal: 0.3 Vp-p 75Ω , Mini Din 4-pin connector✓ Video input: x2 1.0 Vp-p 75Ω composite signal , Pin-Jack (NTSC , NTSC4.43 , PAL , PAL-M , PAL-N , SECAM)Audio input: x4 -6 dBs/20 kΩ Pin Jack (L/R).
External Sound Input	<ul style="list-style-type: none">✓ MIC input: x1 (MIC) ; -60 dBv/600Ω✓ AUX input: x1 (AUX) ; -6 dBs/20 kΩ , Pin Jacks(L/R)
Recording Output	<ul style="list-style-type: none">✓ HDMI Output: x1 Digital Video YUV (480i/p , 576i/p , 720p50/60 , 1080i50/60).✓ Component Output: x2 Analog Video YUV (480i/p , 576i/p , 720p50/60 , 1080i50/60).✓ Y/C Output: x1 Y signal: 1.0 Vp-p 75Ω , Mini Din 4-pin connector C signal: 0.3 Vp-p 75Ω , Mini Din 4-pin connector✓ Video Output: x1 1.0 Vp-p 75Ω composite signal , Pin-Jack (NTSC , NTSC4.43 , PAL , PAL-M , PAL-N , SECAM)✓ Audio Output: x2 -6 dBs/20 kΩ Pin Jack (L/R).
Preview Output (OSD)	<ul style="list-style-type: none">✓ Y/C Output: x1 Y signal: 1.0 Vp-p 75Ω , Mini Din 4-pin connector C signal: 0.3 Vp-p 75Ω , Mini Din 4-pin connector✓ Video Output: x1 1.0 Vp-p 75Ω composite signal , Pin-Jack (NTSC , NTSC4.43 , PAL , PAL-M , PAL-N , SECAM)
Headphone Output	<ul style="list-style-type: none">✓ 1x (Headphone); -20 dBv~ -80 dBv, 3.5 mm phone jack
Effects	<ul style="list-style-type: none">✓ Video: Still, Mosaic , Paint , Negative , Wipe, Mix, Fade , Picture-In-Picture , Chroma key , Luminance key
Back color 3x8	<ul style="list-style-type: none">✓ 3 frames, 8 colors
Wipe Patterns	<ul style="list-style-type: none">✓ 96 patterns
S/N (Typical)	<ul style="list-style-type: none">✓ Video: 48 dB (composite) , 50 dB (HDMI ,Component ,Y/C) ; Audio: 60 dB
Power Source	<ul style="list-style-type: none">✓ 12V DC 3A , Approx. 15W
Dimensions/ Weight	<ul style="list-style-type: none">✓ 267(W) X 370(D) X 103.5(H) mm , 2Kgs

96 Wipe Patterns:



Meicheng® MEI CHENG AUDIO VIDEO CO., LTD.

Address: 13F., No.2, Jian 8th Rd., Jhonghe Dist., New Taipei City 235, Taiwan
Tel: +886(2) 8228 0311, Fax: +886(2) 8228 0319
Website : www.meicheng.com.tw Email:mei.cheng@msa.hinet.net