

Meicheng[®]

CPT-370 PC to Video Converter

USER MANUAL



www.meicheng.com.tw

Features

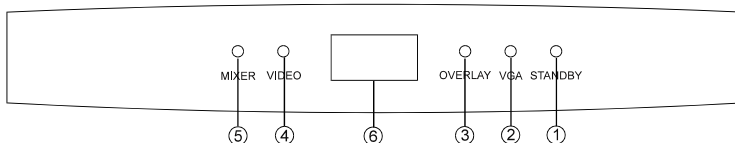
- Superimpose PC text and graphics onto another channel of live video.
- It converts three VGA mode-1024* 768, 800* 600, 640* 480 into NTSC or PAL video, which then overlay or mix with another video.
- Plug-and-play design, no software driver required.
- Cross-platform compatibility for PC, Macintosh and Note book.
- Zoom & Pan.
- Vertical and horizontal overscan / underscan control.
- Simultaneous display on PC and TV monitor.
- Composite, S-Video output.
- Automatically supports scan rate from 50 Hz up to 100 Hz.
- Remote controller .

Applications

- ◆ PC to Video overlay.
- ◆ Mix PC picture and Video.
- ◆ Enjoy PC games, PC movies and Internet on TV.
- ◆ Education and business presentation.

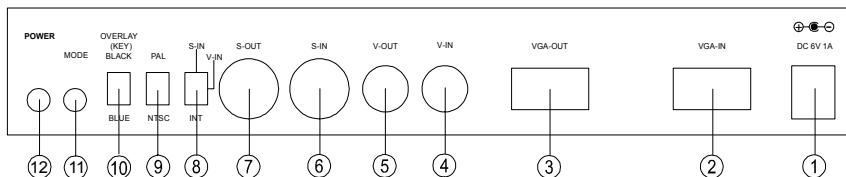
Operation Controls and Functions

Front Panel



1. Standby indicator: The indicator will light when in standby mode.
2. VGA indicator: Illuminates when the VGA mode (source) is selected.
3. Overlay indicator: Illuminates when overlay mode is selected.
4. Video indicator: Illuminates when video mode (source) is selected.
5. Mixer indicator: Illuminates when mixer mode is selected.
6. Remote control sensor.

Real Panel



Operation Controls and Functions

1. DC power supply 5V 2.6A input.
2. VGA input.
3. VGA output.
4. Video input.
5. Video output.
6. S-Video input.
7. S-Video output.
8. Video input select: Top for S-Video, middle for composite, bottom for internal black sync signal. When there is no external video signal input this switch must be set to internal for VGA genlock use.
9. NTSC/PAL switch: Top for PAL, bottom for NTSC.
10. Overlay (Key) switch: Top for PC Black background keying bottom for Blue background keying.
11. Mode select: Select one of the VGA, overlay, video, or mixer mode.
12. Power switch.

Remote Control :

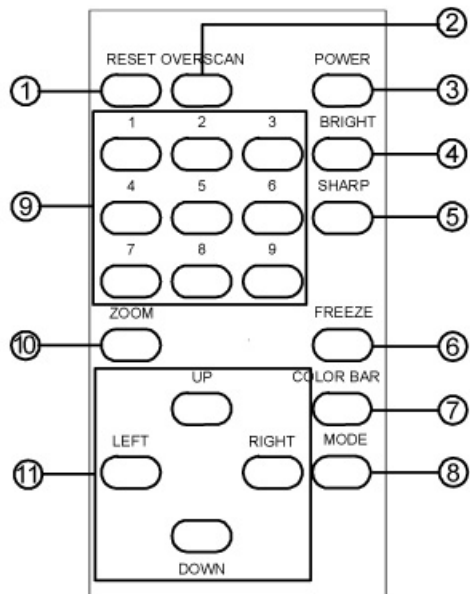
1. Reset the screen.
2. Overscan/Underscan control.

Note: When using CPT-370 for overlay, it will automatically turn your underscan PC picture into overscan to avoid the black perimeter associated with all underscan picture to be imposed onto the resultant Video output.

Because most PC screens are underscan, which leaving a black margin on the four edges of the screen. When using the blue background keying, this black perimeter can not be keyed away, therefore will be superimposed onto the video input and resulted in a black-frame surrounded the overlaid video output.

CPT-370 has automatically turned your PC picture into overscan to eliminate this black perimeter.

3. Power On/Off.
4. Adjust the Brightness.
5. Adjust the Sharpness.
6. Freeze/Unfreeze the picture.
7. Color Bar.
8. Mode select.
9. Zoom for 9 special areas.
10. Zoom On/Off control.
11. Pan the picture Up, Down, Right, Left.



Specifications

Input signal:

1. 640 x 480 resolution scan up to 100 Hz.
800 x 600 resolution scan up to 85 Hz.
1024 x 768 resolution scan up to 75 Hz.
2. NTSC/PAL Composite video or S (Y/C) video 1 Vp-p 75 ohm.

Output signal:

1. VGA passthrough
2. Composite video 1 Vp-p 75 ohm
3. S (Y/C) video 1 Vp-p 75 ohm

S-Video bandwidth: 5.5 MHz

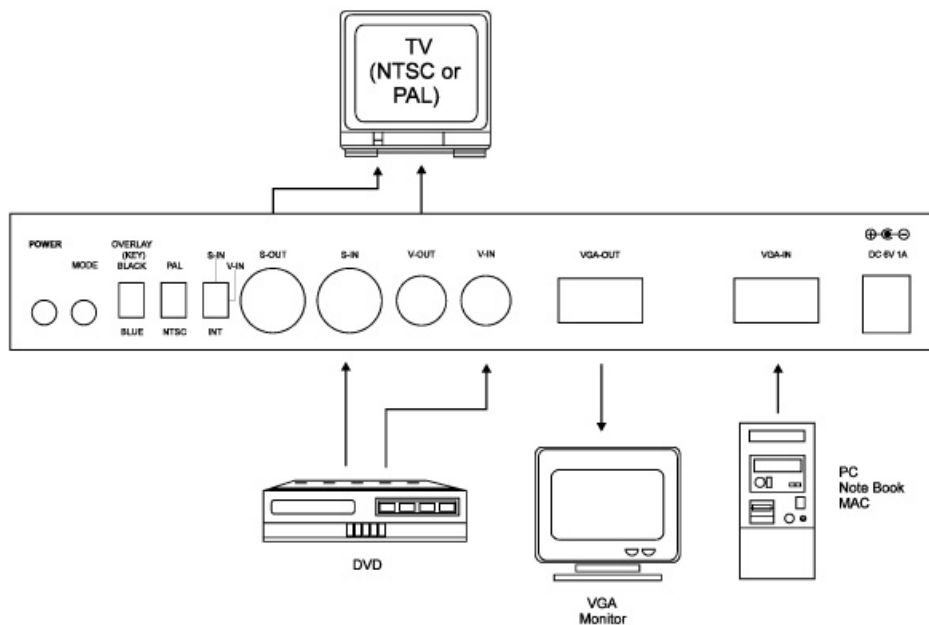
Power supply: DC 5V, 2.6A

Accessory: Remote controller, application software.

Dimension: 236mm(W) x 130 mm(D) x 45 mm(H)

Weight: 0.6 kg

Connection and Installation



CAPTION for PC to Video Overlay

< Features >

"CAPTION" software allows you to superimpose PC text and graphics onto another live video channel. You may also record superimposed images into a VCR..

< PC System Requirements >

- * PentiumII MMX 400MHz or above;
- * 64 MB DRAM or above;
- * VGA 16MB display card or above;
- * Mouse; Windows 98 / ME / 2000 / XP.

< Installation >

1. Click menu **<START>** from Microsoft Windows 98 / ME / 2000 / XP.
2. Select **<RUN>** from the Run dialog box.
3. Type a:\SETUP.BAT
4. Follow the onscreen instructions to complete installation until "Setup was completed successfully" appears on screen.
5. The CAPTION icon will appear on your desktop screen and [Start] menu after installation.

--- Note ---

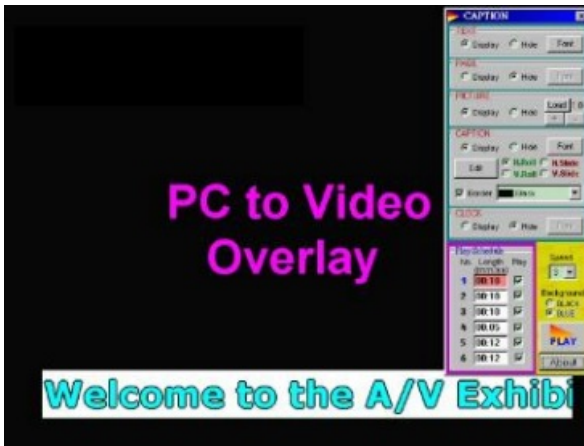
If some of Windows files are not updated, you will be requested to re-start the computer to update during program installation. Please extract the installation disk, re-start the computer and follow the step-by-step installation guide on re-installation.

< Execute CAPTION >

1. Click menu **<START>** **<PROGRAM>** **<CAPTION>** or
2. Click the icon **<CAPTION>** on the desktop.

< Functions Operation >

There are five objects to edit -**TEXT**, **PAGE**, **PICTURE**, **CAPTION**, **CLOCK** .



< Objects edition >

TEXT - The above black background is for texts editing.

- Move the cursor to the preferred area, click the left button and input the texts to be displayed.
- Press **Font** to select size, color and style of texts.

PAGE - The entire black background may be used for page layout.

- Move the cursor to the preferred area, click the left button and input the texts to be displayed.
- Press **Font** to select size, color and style of texts.

PICTURE - Press **Load** to open picture file.

- Press **+/-** to zoom in or out picture.
- Move the cursor to the chosen picture, press left button and drag the PICTURE re-arrange the position of the picture.

Animation Picture .GIF

- The PICTURE can be animation picture with .GIF format file.
- You can't adjust the zoom in/out under .GIF file.
- Please use the .GIF graphical software to make .GIF file.
- The browser (ex: Internet Explorer) has to enable [image display] and [animation].
- For the reason of performance, please design the simpler .GIF file.
ex: 256 colors, Less 200x200 size picture.

CAPTION - Press **Edit** to edit texts on screen. Maximum of 10 texts per period (total 6 periods.)

- Select **Horizontal / Vertical Rotation**, or **Slide** for text movement control.
- Press **Font** to select size, color and style of texts.
- Move the cursor to "Caption Bar", press left button and then move the mouse to alter the position of the Caption Bar.
- Check the [Border] to add border on font. And choose the border color.

CLOCK - Press **Font** to select size, color and style of CLOCK font.

- Move the cursor to the CLOCK, press left button and drag the CLOCK re-arrange the position.
- The clock display depends on computer internal clock running.

< Play Schedule >

Play Schedule allows user to set preferred time-length and played items for screen display.

- There are six periods on the **Play Schedule** at most.
- The input time-length format is **mm:ss** (minute:second). mm: 00 ~ 59, ss: 00 ~ 59.
- The checked Play periods will play after clicking [**PLAY**] button.
- Each period can edit separately TEXT, PAGE, PICTURE, CAPTION, CLOCK .

< PLAY >

The selection includes:

Background: - You can select background with either **BLACK** or **BLUE** during screen display.

- The background setup need to match with CPT-370 background switch setup on rear panel.

Speed: You can select moving speed.

Play: Play the checked periods. Auto-repeat play. Click mouse left-button to stop playing.

--- Note ---

* For the reason of performance, please close the other executing programs (software) first. Especially, anti-virus / MS-DOS mode programs.

* The demo on the install disk is for 800x600 resolution.

Meicheng[®] MEI CHENG AUDIO VIDEO CO., LTD
Address: 5F., NO.111, SEC. 2, HUAN HO N. RD., TAIPEI, 10376 TAIWAN
Tel: +886(2) 2585 3869, Fax: +886(2) 2593 6672
Website: www.meicheng.com.tw Email: mei.cheng@msa.hinet.net