

Personal Video Recorder

Operation Manual



Preface

This user manual teaches you about the SD Video Recorder and how to make full use of its features. Information contained in this manual has been carefully checked for accuracy; however, no guarantee is given to the correctness of the contents. The information in this document is subject to change without notice.

Safety information

Do not disassemble the SD Video Recorder. Touching the product's internal parts could result in injury. In the event of a malfunction or if the SD Video Recorder is accidentally broken open, take the product to an authorized service center for inspection.

TABLE OF CONTENTS

1. Introduction	4
2. Main Features	4
3. Accessories	4
4. Overview of the Remote Control	5
5. Using the CSD-M4	6
6. Turning on Power	6
7. System Menu	6
7.1 Initial Setup	7
7.1.1 System Language	7
7.1.1.1 TV Type	7
7.1.1.2 Initial Setup	7
7.1.1.3 Enter	8
7.2 HDD Utility	8
7.2.1 Format	8
7.3 Setup	9
7.3.1 System	9
7.3.1.1 TV System	9
7.3.1.2 Screen Saver	10
7.3.1.3 System Language	10
7.3.1.4 Time Format	10
7.3.1.5 Set Date	11
7.3.1.6 Set Time	11
7.3.1.7 Reset Setting	11
7.3.2 A/V Set	11
7.3.2.1 Video Output	12
7.3.2.2 TV Type	12
7.3.2.3 Brightness	12
7.4 HDD Browser	13
7.4.1 Edit	13
7.5 Instant Rec	13
8. CSD-M4 connections	14
9. Appendix	15
Specifications	15
10. Troubleshooting	16

1. Introduction

SD Video Recorder (CSD-M4) is the most valuable add-on to any home theater settings. This is great replacement to traditional VCR or even DVD-RW recorders, with their compact size and superior support to variable mobile devices. CSD-M4 can perfectly serve as the data center of all incoming multimedia. You won't miss any favorite clip as you can record it as MPAG 4 format into USB flash / USB HDD drive instantly, by simply clicking on the remote controller.

2. Main Features

- Supports OSD (On-Screen-Display) menu operation
- Supports USB HDD or USB Flash drive (FAT32 file system is supported but excepted NTFS)
- High speed USB devices (USB1.1) are recommended for a good record quality
- Instant Record
- Multimedia Player (AVI/MPG/DIV/MP3/WMA/JPG/GIF/BMP)
- Supports input high resolution 480i and 576i
- Supports output high resolution 480i/p and 576i/p
- IR remote control
- Ideal for the application of home theater
- Easy to install and simple to operate

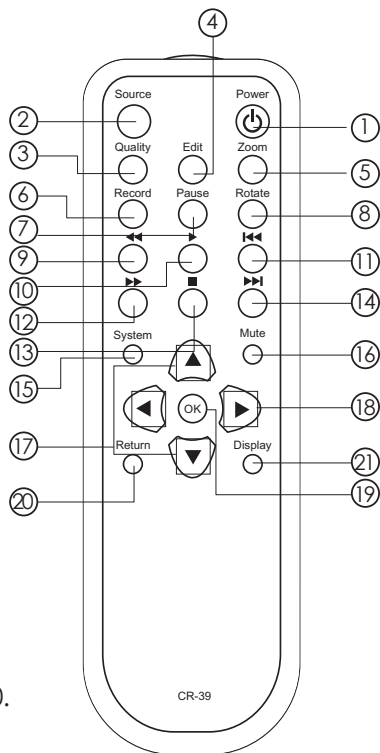
3. Accessories

Make sure that your package contains the following items. If any of the items are missing or appear to be damaged, contact your vendor.

- Remote Control
- Batteries AAA*2
- DC Power adaptor (5V/2.6A)
- User manual

4. Overview of the Remote Control

1. Power:
Switch CSC-M4 on or off.
2. Source:
Choose AV/YUV/SV/USB mode.
3. Quality:
Choose the recording quality HQ/SP/LP.
4. Edit:
Edit the file name, delete the file or Play mode.
5. Zoom:
Simultaneous press to increase/ decrease the picture/ movie size or switch off the zoom size.
6. Record:
Record the AV signal to USB device.
7. Pause :
Pause current process at the first press; go on step by step at the subsequent process.
8. Rotate:
Photo rotate 90°/180°/270°/360°.
9. ◀◀◀:
Fast Backward, Simultaneous press it to increase the fast-backward speed: x2, x4, x8, x20.
10. ▶▶▶:
Play the selected multimedia file.
11. ◀◀◀◀:
Return to the previous page.
12. ▶▶▶▶:
Simultaneous press it to increase the fast-forward speed: x2, x4, x8, x20.
13. ■:
Stop playing the file and return to the previous page.
14. ▶▶▶|:
Jump to next selection.
15. System:
Enter into the system menu.
16. Mute:
Press to mute the audio.
17. ▲/▼:
Move the highlight rectangle up or down.
18. ◀/▶:
Move the highlight rectangle left or right.
19. OK:
Confirm the selection.
20. Return:
Return to the previous state.
21. Display:
Display media information.



5. Using the CSD-M4

After connecting the CSD-M4 to the TV and Power on, you are ready to start the CSD-M4. This chapter describes how to turn on the device and how to control On-Screen Display (OSD) menu to configure the device settings.

6. Turning on Power

Turning on the TV and select the appropriate video input to suit the connections to this unit.

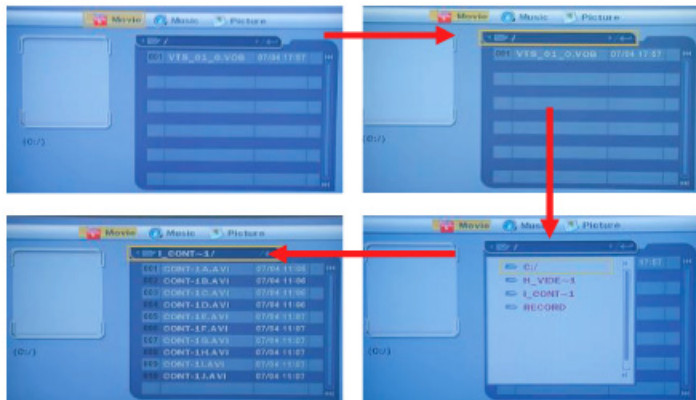
7. System Menu

After the CSD-M4 is turned on, the following Meicheng logo screen will appear and the system begins to search for a USB Flash/HDD device.



If there is no connected USB device, the screen remains to display 'NO USB Device, Please Insert...'. You can press the SOURCE key to select another source in.

On the other hand, if the CSD-M4 finds a USB device, the following screen will appear displaying 'SCAN USB Device, Please wait...'.
The following sequence of four screenshots illustrates the navigation process through the OSD menu. Red arrows indicate the sequence: from the top-left screen to the top-right, then down to the bottom-right, and finally left to the bottom-left.



1. Press [▼] to select the folder.
2. Press [OK] to browse the folder files.
3. Press [OK] key to enter the selected folder.
4. Press [OK] key to play a selected file.
5. Press [▲/▼/◀/▶] to go to previous/next file.

Music/Picture modes are same as above procedures.

Press [System] to call out the System Menu screen

Press [OK] to confirm the selection

Press [Return] to return to previous selection

7.1 Initial Setup

The Initial Setup item guides you to set up CSD-M4 step by step.
Press [OK] to enter the Initial Setup



7.1.1 System Language

Press [▲/▼/◀/▶] to select language.
Press [OK] to confirm the selection



7.1.1.1 TV Type

Press [▲/▼] to select display type. There is PS 4:3, LB 4:3 and 16:9. (PS 4:3 means 4:3 Pan Scan; LB 4:3 means 4:3 Letter Box).
Press [OK] to confirm the selection



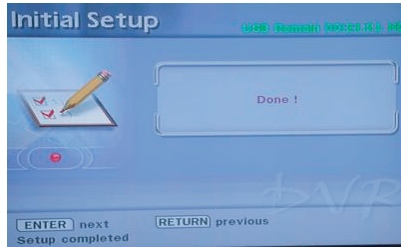
7.1.1.2 Initial Setup

Press [▲/▼/◀/▶] to move the highlight and change the digits.
Press [OK] to confirm the selection



7.1.1.3 Enter

Press [OK] to save the setup



7.2 USB Utility

In the USB Utility that can help you to Format USB device.
Press [OK] to enter the USB Utility



7.2.1 Format

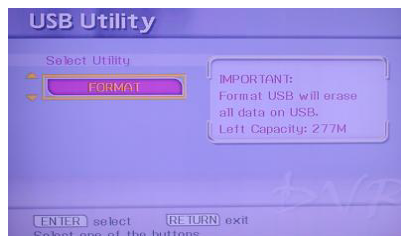
Press [▲/▼] to select display type

Presses [OK] to confirm the selection, after confirm the Format selection, the CSD-M4 will erase all data on USB/HDD device and re-create a FAT file system.

Select "No" to return to the format selection.

Select "Yes" to format USB/HDD device.

While formatting, the message will appear and remain for a while to tell you not to move the USB/HDD device or turn power off. Otherwise the CSD-M4 will not identify the storage device.



7.3 Setup

Press [▲/▼] to select display type.

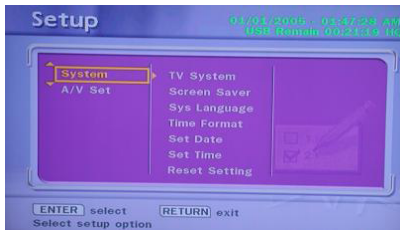
Press [OK] to confirm the selection.



7.3.1 System

Press [▲/▼/◀/▶] to select the system setup.

Press [OK] to confirm the selection.



7.3.1.1 TV System

Press [▲/▼/◀/▶] to select the system setup (NTSC or PAL system)

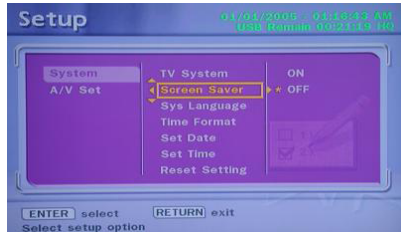
Press [OK] to confirm the selection.



7.3.1.2 Screen Saver

Press [**▲/▼/◀/▶**] to turn on/off the screen saver.

Press [**OK**] to confirm the selection.



7.3.1.3 System Language

Press [**▲/▼/◀/▶**] to select the language format or return.

Press [**OK**] to confirm the selection.



7.3.1.4 Time Format

Press [**▲/▼/◀/▶**] to select the display time format.

Press [**OK**] to confirm the selection



7.3.1.5 Set Date

Press [▲/▼/◀/▶] to set system date.

Press [OK] to confirm the selection.



7.3.1.6 Set Time

Press [▲/▼/◀/▶] to set system time.

Press [OK] to confirm the selection.



7.3.1.7 Reset Setting

Press [OK] to rest the system back to the factory setting



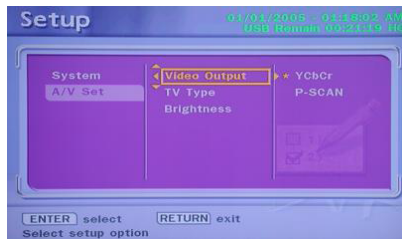
7.3.2 A/V Set

Press [▲/▼/◀/▶] to select A/V setup.



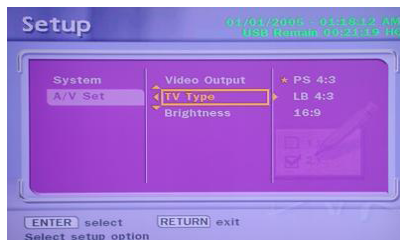
7.3.2.1 Video Output

Press [▲/▼/◀/▶] to select the output system setup (YCbCr or P-SCAN system).
Press [OK] to confirm the selection



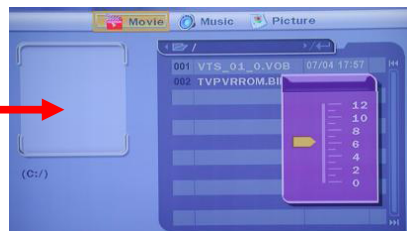
7.3.2.2 TV Type

Press [▲/▼/◀/▶] to select display type. There are PS 4:3, LB 4:3 and 16:9. (PS 4:3 means 4:3 Pan Scan; LB 4:3 means 4:3 Letter Box).
Press [OK] to confirm the selection.



7.3.2.3 Brightness

Press [▲/▼/◀/▶] to select the Brightness level.
Press [OK] to confirm the selection.



7.4 USB Browser

Press [OK] to confirm the selection. The system will view the USD device folders. Please refer to system menu as above.



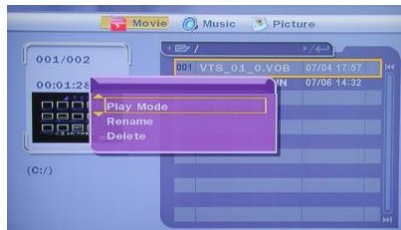
7.4.1 Edit

After confirm the selection file, press [Edit] the screen will pop up the selection. *Play Mode: Playing file (SEQ Play: Sequence Play, File Rep: File Repeat and Dir Rep: Directory Repeat)*

Rename: Enter the text input interface to rename the selected file

Delete: Delete the selected file

Press [OK] to confirm.



7.5 Instant Rec

Press [▲/▼/◀/▶] to select record type.

Source (Input): AV/YUV/S-Video

Target (Save): USB

Quality: HQ/SP/LP

Mode (Save): MPEG4

Select GO! button and press [OK] to confirm the selection.

While recording, the 'REC" string will display at the top left corner of the screen.

Press [Display] the OSD message which shows the recording format and the corresponding available recording time at the top corner of the screen.



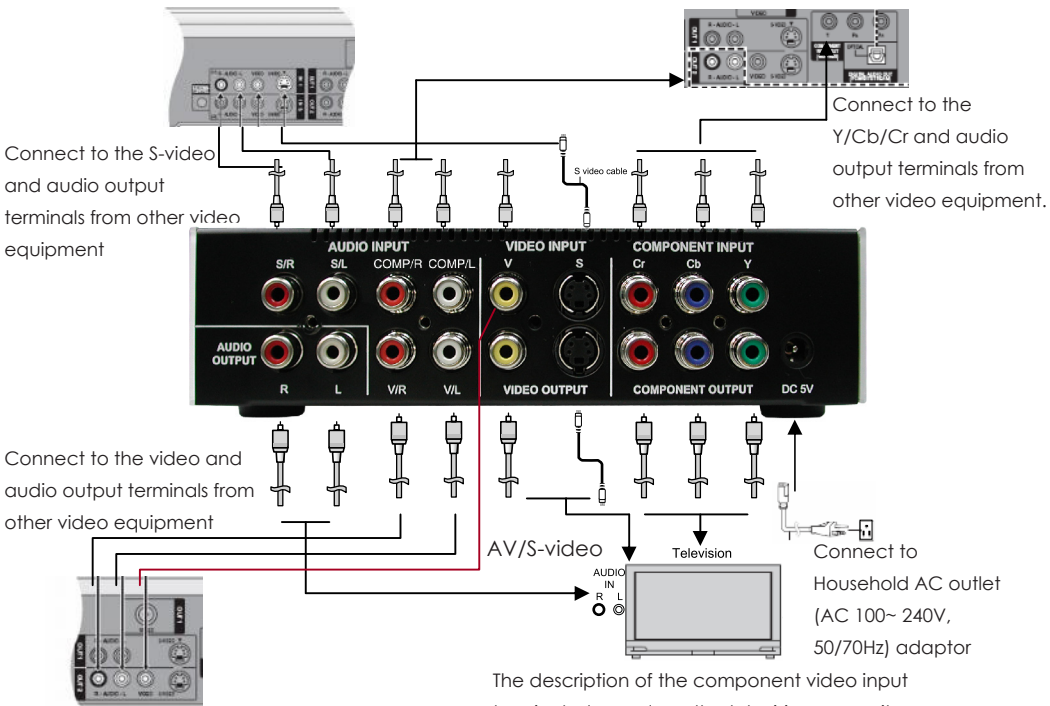
The output file, *.AVI (MPEG4) will be stored on the specified device (USB/HDD).

Quality	Bite rate (MB/Sec)	Effect (Hr/GB)
HQ	5	0.5
LP	2.5	1.25

8. CSD-M4 connections

Input I/O: Component with Audio R/L	x 1
S-Video with Audio R/L	x 1
Video with Audio R/L	x 1
Output I/O: Component	x 1
S-Video	x 1
Video	x 1
Audio R/L	x 1

CSD-M4 supports multiple inputs from other video equipment and output can select the desire source to enjoy the high quality video. When making this connection, ensure you connect the video/audio cables to the corresponding video/audio input terminals on the CSD-M4.



9. Appendix Specifications

Input ports	Component with Audio R/L x 1 S-Video with Audio R/L x 1 Video with Audio R/L x 1
Output ports	Component x 1 S-Video x 1 Video x1 Audio R/L x 1
Power Supply	5V/2.6A DC (US/EU standards, CE/FCC/UL certi-
Remote Control	Discrete IR remote
Chassis Material	Metal with Plastic
Silk Skin Color	White with Black
Operating Temperature	Operating from 0°C ~ 70°C
Dimensions (mm)	176(W) x 175(D) x 45(H)
Weight(g)	926

10. Troubleshooting

Problem	Possible causes	Solutions
Power LED is not illuminated	Power cord is not connected correctly.	Make sure that the power cord is connected correctly.
	Power not available.	There may be a power outage in your area. Make sure that other electronic devices are working correctly.
Power On the LED in blue color	System may be in standby mode.	Use the remote control to turn on the CSD-M4.
Remote control is not working	Batteries may be low.	Replace the remote control batteries.
No Picture	A/V connection may be loose.	Check that the A/V cables are connected securely.
	Incorrect TV source is selected.	Make sure that the correct input source is selected on the Components (Y/Pb/Pr) input. Refer to the TV user manual for more information.
	Incorrect connection to CSD-M4	Make sure that the correct input sources are correctly to connect to CSD-M4 input connectors.
No Volume	Volume too low or muted from the CSD-M4 or TV.	Increase volume setting for the TV or the CSD-M4.
	LR cable may not connect correctly.	Make sure the correct TV input source. Refer to the TV user manual for more information.